

## Installation instructions

### For Y-connections in the secondary of AGL series transformers

This instructions concern connector assemblies KDCA.2PR and KDCA.P2R

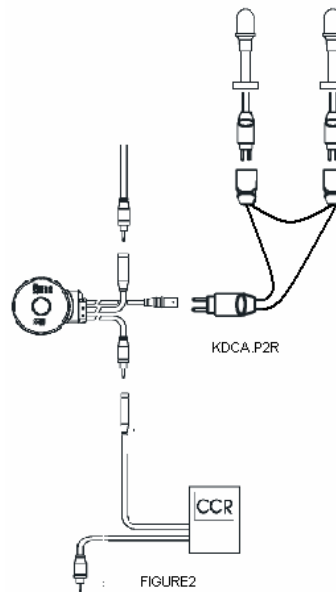
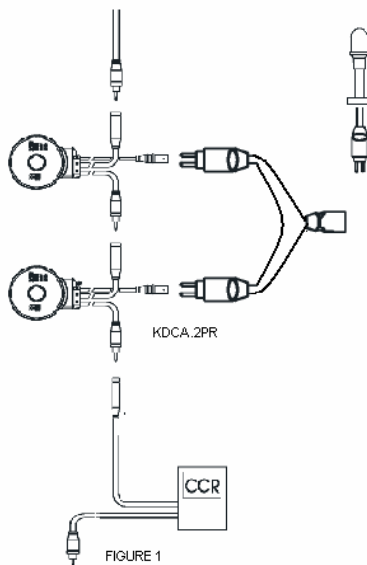
**Read these instructions before installation** (Read also installation instructions for AGL series transformers)

#### Caution

Only personnel qualifying to work with high voltage equipment and circuits are allowed to do the installation. Make sure that the circuits are disconnected from the voltage supply and correctly grounded. Never connect or disconnect live circuits. Also secondary circuit voltage can be lethal due to several transformer connected in series and peak voltages normally occurring in circuits. Check that no damage has occurred for the connectors, otherwise do not continue the installation. Follow the local instructions for safety precautions or refer to the FAA advisory circular AC150/5340-26 Follow also Advisory circular AC150/5370-10 part XI Lighting. Never bend connectors during connecting or disconnecting!

#### **Installation:**

Secondary receptacle of AGL series transformers (Style 7 or 8) fits to male connector(s) of Y-connections. (i.e. KDCA.2PR or KDCA.P2R) see figure 1 and 2.



KDCA.2PR connection can be used when there is a need for a bigger power than one transformer can supply. *Install transformer to series in primary side and KDCA.2PR between secondary receptacles and load i.e. also in series (figure1)*

KDCA.P2R connection can be used to supply two lamps (load) *Install KDCA.P2R between two loads and transformer's receptacle (figure 2)*

**Notice:** When using two transformers supplying same load with KDCA.2PR where secondary circuit is earthed, only one of the transformers can be with earthing possibility. Otherwise there is possibility short circuited secondary through the *ground loop*. Make sure that pole indicator is on the right side. If connector polarity is wrongly installed, applied power will be decreased. (*Wrong phasing*)

#### Liability for defects

This product will perform within the recommended operational ratings when installed and operated in accordance with these instructions. Efla Oy liability is limited to replacement of component parts designed and manufactured by Efla Oy which are proved to be defective in design, workmanship or material. For further details see our conditions of sale NL 92E. Manufactured by Efla Oy, Ensio Miettisen katu 2 06101 Porvoo Tel: +358 204 76 21 Fax: +356 204 76 2758